



Item No. _____

220

Batch Ice Cream Freezer



Features

Serve homemade, high overrun ice cream, sorbet or Italian ice. Fruits, candies and nuts can be folded in as product is being drawn into your container.

Freezing Cylinder

One, 20 quart (18.9 liter).

Mix Hopper

One, 10 quart (9.5 liter). Mix flows into the freezing cylinder through an opening in the hopper mounted funnel. With the funnel closed, more mix can be added to the hopper in preparation for the next batch.

Automatic Temperature Control

Refrigeration system shuts off when set temperature is reached. A buzzer will sound to remind the operator to eject the finished product into tubs or other containers.

Adjustable Shelf

Three positions for filling large to small containers.



Standard 6



SA2650



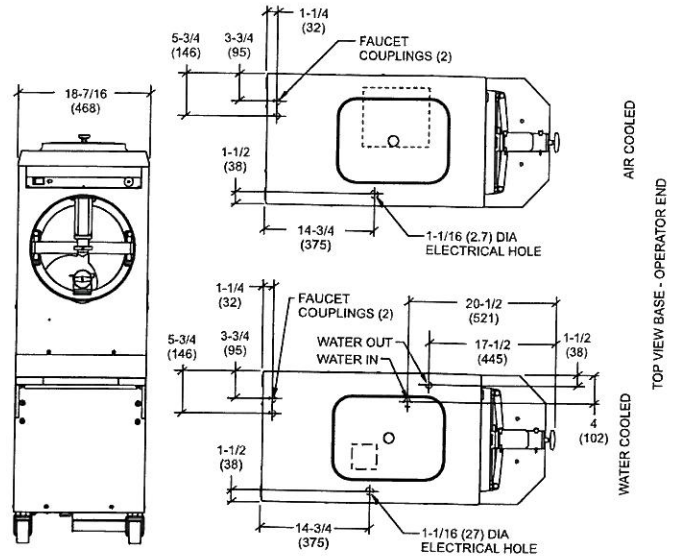
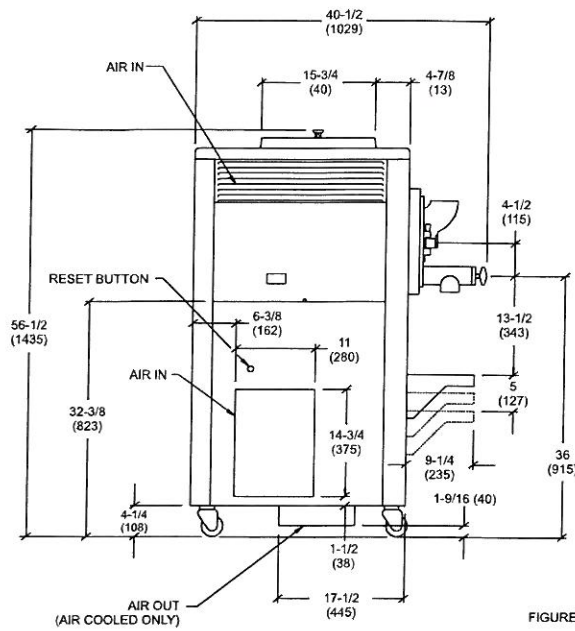
Selected 50 Hz. Models

Rockton, Illinois 61072
800-255-0626
Phone 815-624-8333 Fax 815-624-8000
www.taylor-company.com
e-mail: info@taylor-company.com

International Office
Taylor Company S.r.l.
Roma, Italy
Tel: +39-06-420-12002 Fax: +39-06-420-12034
e-mail: romeoff@taylor-company.com

ISO 9001:2000
Registered Firm

220 Batch Ice Cream Freezer



FIGURES IN PARENTHESES INDICATE MILLIMETERS.

Weights	lbs.	kgs.
Net	500	226.8
Crated	598	271.3
	cu. ft.	cu. m.
Volume	59.9	1.69

Dimensions	in.	mm.
Width	18-7/16	468
Depth	40-1/2	1029
Height	56-1/2	1435
Floor Clearance	4-1/4	108

*Mounted on standard casters

Electrical	Maximum Fuse Size	Minimum Circuit Ampacity	Poles (P) Wires (W)
208-230/60/1 Air	50	35	2P 3W
208-230/60/1 Water	50	33	2P 3W
208-230/60/3 Air	30	23	3P 4W
208-230/60/3 Water	30	20	3P 4W
220-240/50/1 Air	30	24	2P 3W
380-415/50/3N~ Air	15	12	4P 5W

This unit may be manufactured in other electrical and cooling characteristics. Refer to the local Taylor Distributor for availability. (For exact electrical information, always refer to the data label of the unit.)

Bidding Specs

Electrical: Volt _____ Hz _____ ph _____
 Neutral: Yes No | Cooling: Air Water NA

Options: _____

Specifications

Electrical

One dedicated electrical connection is required. See the Electrical chart for the proper electrical requirements. Manufactured to be permanently connected. Consult your local Taylor distributor for cord & receptacle specifications as local codes allow.

Beater Motor

One, 1.5 HP.

Refrigeration System

One, approximately 15,000 BTU/hr. R404A. (BTUs may vary depending on compressor used.)

Air Cooled

Minimum clearance: 3" (76 mm) around all sides. Install the deflector provided to prevent recirculation of warm air. Minimum air clearances must be met to assure adequate air flow for optimum performance.

Water Cooled

Water inlet and drain connections under side of base 3/8" FPT.

Options

- Faucet
- Knife Door
- Tub Locator

Continuing research results in steady improvements; therefore, these specifications are subject to change without notice.



Taylor Company,
 A Division of Carrier Commercial Refrigeration, Inc.
 Rockton, Illinois 61072
 815-624-8333 800-255-0626 Fax 815-624-8000
 www.taylor-company.com

Printed in U.S.A.

026148-ADV 6/06